

KVPVDF

Variable Vacuum Pumps



Features

- ◆ Ideal for dirty environments
- ◆ Non-clogging, straight-through design
- ◆ High performance to air consumption ratio
- ◆ Field adjustable for your specific application
- ◆ Can be used on prototype machines to establish exact vacuum requirements
- ◆ No moving parts

Description

This series of adjustable air powered vacuum pumps provides high vacuum flow rates of up to 3400 nl/min, and vacuum levels of up to (-850 mbar).

Because of their straight-through design, the units are capable of handling porous and dirt contaminated components without the need for additional filtration.

Our customers name this unit the "Dirty One" because of its ability to pass virtually all contaminants through its internal structure.

These pumps can be used to pick and place concrete blocks, or packaging materials that are coated with fine powder, and are commonly used in industrial air driven vacuum cleaners to remove liquid, solid, or slurry mixtures from sump areas.

All pumps are infinitely adjustable whilst the external locking ring maintains the set position.

Materials

Vacuum Pump body:	Anodised aluminium (standard) Stainless steel and PVC (optional on request)
Seals:	None

Technical Specifications

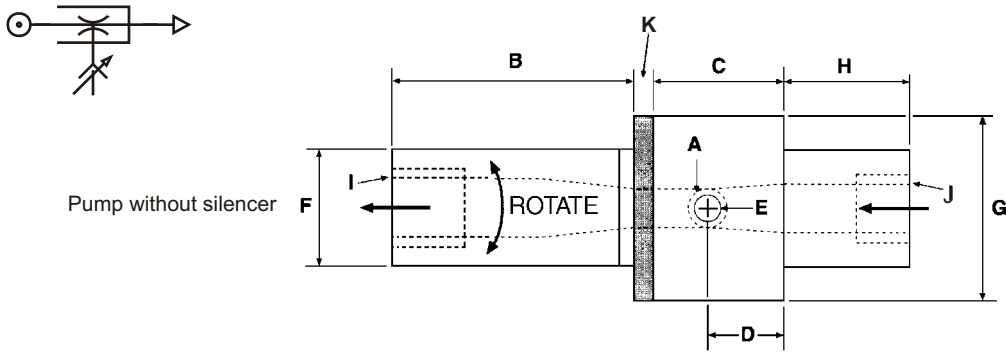
Medium:	Filtered (50 μ) non lubricated air
Operating pressure:	5.5 bar
Operating temperature:	-10°C to +50°C
Operating noise level:	72 dBA (with silencer)

Ordering Information:
By part number



Dimensions and Performance Data

units mm



Part number	A	B	C	D	E	ØF	ØG	H	Exhaust I	Inlet J	K
KVPVDF150	4	38	38	19	G1/8	19	32	22	G1/4	G1/4	3.8
KVPVDF200	5	38	38	19	G1/8	19	32	22	G1/4	G1/4	3.8
KVPVDF250	6	38	38	19	G1/8	19	32	22	G1/4	G1/4	3.8
KVPVDF375	10	70	44	22	G3/8	25	44	38	G1/2	G1/2	5.1
KVPVDF500	13	64	51	25	G3/8	32	51	38	G3/4	G1/2	5.1
KVPVDF750	20	86	51	25	G1/2	38	57	38	G1	G3/4	5.1

Part number	Max. vacuum level (-mbar)	Max. vacuum flow nl/min	Compressed air consumption nl/min @ 5.5bar	Silencer length mm	Recommended silencer part number*
KVPVDF150	850	91	127.5	35	AA4
KVPVDF200	850	170	192.5	146	KST4
KVPVDF250	850	283	339.8	146	KST4
KVPVDF375	850	850	821.2	146	KST8B
KVPVDF500	850	1699	1274.3	280	KST12C
KVPVDF750	850	3398	2548.5	280	KST16C

Locking ring maintains set position

* See Kavac accessories section for full details of Silencers